

E1 Mine Duty Primary Cleaner



GET THE **EAGLE EDGE!**
MADE IN THE U.S.A.



2³/₈ Schedule 80 Pipe
Powder Coated

Cleaners 18-72" Belt Width
Standard Blades -2 & -8 Belt Width

Blade
Height
6⁵/₈

Ev-r-wear™ Blade

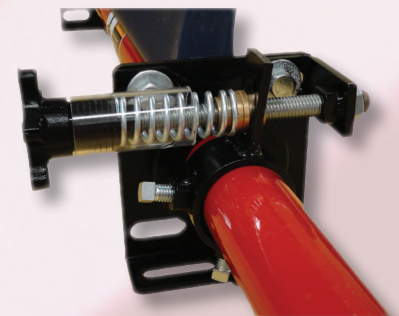
Our special formulated urethane with additives has been tested and proven to last longer than any other blade on the market.

WE GUARANTEE IT . . .

- † Premium urethane
- † Additive for lubricity (non-stick)
- † Additive for high abrasion
- † "With over 35 years molding experience."

We don't cast this formula because it's easy or cheap, we cast it because it's the BEST."

David K. Liland, President



PATENT PENDING **UNIVERSAL MOUNTING BRACKET**

- † Can be face mounted or foot mounted
- † Composite molded bushing eliminates corrosion and build-up between bracket and pipe. Allows constant blade pressure to belt.
- † Elongated holes allow for easy alignment of installation.

BY FAR THE EASIEST CLEANER
TO INSTALL AND MAINTAIN

EASY-TORQUE SYSTEM

- † Mounted left or right
- † Single or Dual tensioner available
- † Bronze bushings
- † Spring Guard
- † Knob for easy tension adjustment
- † Designed for limited space

EASY TO SET AND STAYS SET

"Not just assembled in the U.S.A.
but made in the U.S.A."

AMERICAN EAGLE MANUFACTURING LLC

www.AmericanEagleManufacturing.com

1-866-713-8985

E1 Mine Duty Primary Cleaner



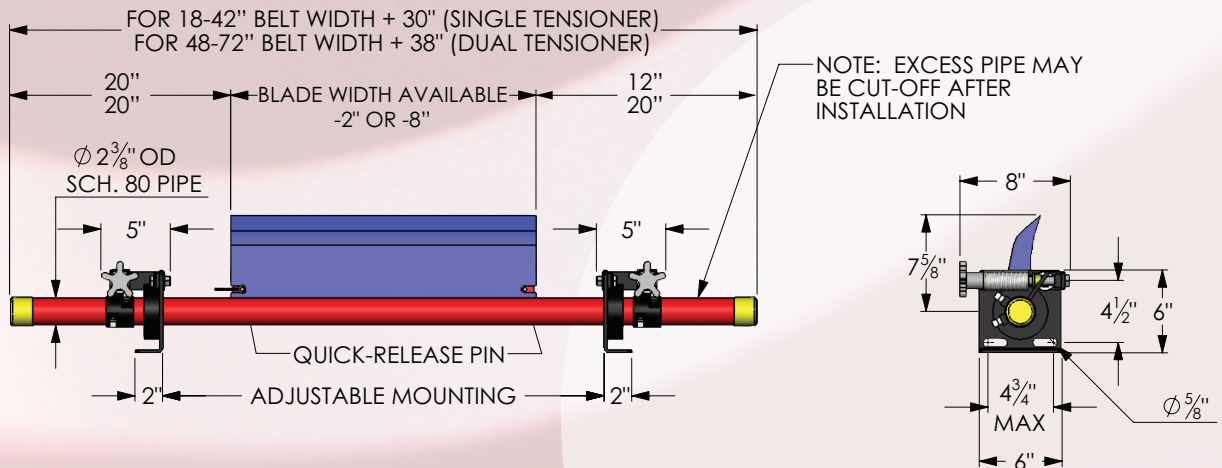
GET THE **EAGLE EDGE!**
MADE IN THE U.S.A.

E1 CLEANER

ORDERING INFORMATION E1 Series

BELT WIDTH	EASY TORQUE	ORDER NUMBER	-2 BLADE WIDTH	LBS	ORDER NUMBER	-8 BLADE WIDTH	LBS
18"	Single	E1CSM18	16"	59	E1CSM18-8	10"	56
24"	Single	E1CSM24	22"	65	E1CSM24-8	16"	62
30"	Single	E1CSM30	28"	73	E1CSM30-8	22"	70
36"	Single	E1CSM36	34"	80	E1CSM36-8	28"	77
42"	Dual	E1CDM42	40"	89	E1CDM42-8	34"	86
48"	Dual	E1CDM48	46"	97	E1CDM48-8	40"	94
54"	Dual	E1CDM54	52"	112	E1CDM54-8	46"	109
60"	Dual	E1CDM60	58"	120	E1CDM60-8	52"	117
72"	Dual	E1CDM72	70"	132	E1CDM72-8	64"	129

Cleaner will come with Tensioner on right side unless specified left. Dual Available upon request.



BLADE MATERIAL OPTIONS



FDA Polyurethane Natural 85A



Heat Resistant -40 to 300 °F Red 95A



Eagle Ev-R-Wear™ High Performance Blue 85A



Chemical/Acid Resistant Green 80A



Solid Polyurethane Orange 90A

AMERICAN EAGLE MANUFACTURING LLC

www.AmericanEagleManufacturing.com

1-866-713-8985