

# E1 High Performance Mine Duty Primary Cleaner



GET THE **EAGLE EDGE!**  
MADE IN THE U.S.A.

Blade  
Height  
**6<sup>5</sup>/<sub>8</sub>**



**2<sup>3</sup>/<sub>8</sub> Schedule 80 Mounting Tube  
Powder Coated**

**Cleaners 18-48" Belt Width  
Standard Blades -2 & -8 Belt Width**

**AVAILABLE IN ALL STAINLESS STEEL**

## **UNIVERSAL MOUNTING BRACKET**

- † Can be flange mounted or foot mounted
- † Composite molded bushing eliminates corrosion and build-up between bracket and mounting tube. Allow constant blade pressure to belt.
- † Elongated holes allow for easy alignment of installation.
- † Set screw that allows pre-tensioning of cleaner making it more accurate.

***"Not just assembled in the U.S.A.  
but made in the U.S.A."***

## **EZ TORSION SYSTEM**

### **LIFETIME WARRANTY**

This revolutionary design is the simplest and most accurate tensioning system on the market.

Only 4 components make up the EZ Torsion System.

- † Universal Torsion Mounting Bracket
- † Stainless Steel Spring
- † EZ Torsion Ring
- † Tension Guide Cap

**EASY TO SET AND  
STAYS SET**

*Patent Pending*

## **Ev-r-wear™ Blade**

Our special formulated urethane with additives has been tested and proven to last longer than any other blade on the market.

### **WE GUARANTEE IT . . .**

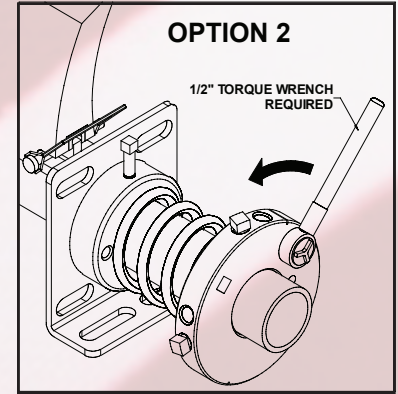
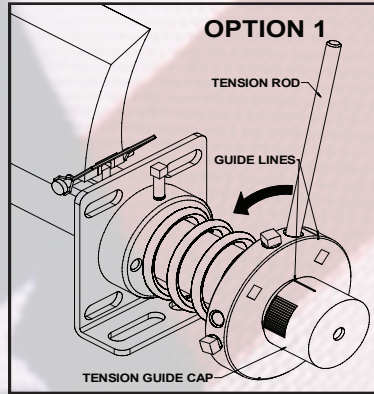
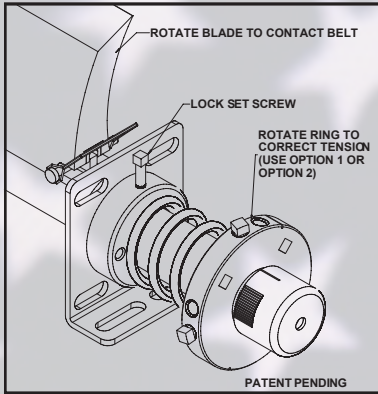
- † Premium urethane
  - † Additive for lubricity (non-stick)
  - † Additive for high abrasion
- "With over 35 years molding experience."**

**AMERICAN EAGLE MANUFACTURING LLC**

www.AmericanEagleManufacturing.com

1-866-713-8985

# BY FAR THE EASIEST CLEANER TO INSTALL AND MAINTAIN



Once the correct tension is set, tighten the 2 set screws on the Easy Torsion Ring then release the set screw on top of the Universal Torsion Mounting Bracket, to transfer the tension to the blade.

## E1HP CLEANER

### ORDERING INFORMATION E1HP Series

BELT WIDTH	S.S. SPRING	ORDER NUMBER	-2 BLADE WIDTH	MOUNTING TUBE LENGTH	ORDER NUMBER	-8 BLADE WIDTH	MOUNTING TUBE LENGTH
18"	Single	E1HPCSM18	16"	56"	E1HPCSM18-8	10"	56"
24"	Single	E1HPCSM24	22"	62"	E1HPCSM24-8	16"	62"
30"	Single	E1HPCSM30	28"	68"	E1HPCSM30-8	22"	68"
36"	Single	E1HPCSM36	34"	74"	E1HPCSM36-8	28"	74"
42"	Single	E1HPCSM42	40"	80"	E1HPCSM42-8	34"	80"
48"	Single	E1HPCSM48	46"	86"	E1HPCSM48-8	40"	86"
54"	Single	E1HPCSM54	52"	92"	E1HPCSM54-8	46"	92"
60"	Single	E1HPCSM60	58"	98"	E1HPCSM60-8	52"	98"
72"	Single	E1HPCSM72	70"	110"	E1HPCSM72-8	64"	110"

Cleaner will come with Tensioner on right side unless specified left. Dual Available upon request.

## E1HP STAINLESS STEEL CLEANER

### ORDERING INFORMATION E1HP Series

BELT WIDTH	S.S. SPRING	ORDER NUMBER	-2 BLADE WIDTH	MOUNTING TUBE LENGTH	ORDER NUMBER	-8 BLADE WIDTH	MOUNTING TUBE LENGTH
18"	Single	E1HPSSCSM18	16"	56"	E1HPSSCSM18-8	10"	56"
24"	Single	E1HPSSCSM24	22"	62"	E1HPSSCSM24-8	16"	62"
30"	Single	E1HPSSCSM30	28"	68"	E1HPSSCSM30-8	22"	68"
36"	Single	E1HPSSCSM36	34"	74"	E1HPSSCSM36-8	28"	74"
42"	Single	E1HPSSCSM42	40"	80"	E1HPSSCSM42-8	34"	80"
48"	Single	E1HPSSCSM48	46"	86"	E1HPSSCSM48-8	40"	86"
54"	Single	E1HPSSCSM54	52"	92"	E1HPSSCSM54-8	46"	92"
60"	Single	E1HPSSCSM60	58"	98"	E1HPSSCSM60-8	52"	98"
72"	Single	E1HPSSCSM72	70"	110"	E1HPSSCSM72-8	64"	110"

Cleaner will come with Tensioner on right side unless specified left. Dual available upon request.

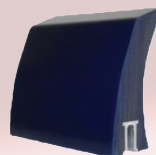
## BLADE MATERIAL OPTIONS



FDA Polyurethane Natural 85A



Heat Resistant -40 to 300 °F Red 95A



Eagle Ev-R-Wear™ High Performance Blue 85A



Chemical/Acid Resistant Green 80A



Solid Polyurethane Orange 90A