

E4 Heavy Duty Primary Cleaner



GET THE **EAGLE EDGE!**
MADE IN THE U.S.A.

Blade
Height
7 1/2



**2 3/8 Schedule 80 Mounting Tube
Powder Coated**

**Cleaners 18-48" Belt Width
Standard Blades -2 & -8 Belt Width**

AVAILABLE IN ALL STAINLESS STEEL

UNIVERSAL MOUNTING BRACKET

- † Can be flange mounted or foot mounted
- † Composite molded bushing eliminates corrosion and build-up between bracket and mounting tube. Allow constant blade pressure to belt.
- † Elongated holes allow for easy alignment of installation.
- † Set screw that allows pre-tensioning of cleaner making it more accurate.

***"Not just assembled in the U.S.A.
but made in the U.S.A."***

EZ TORSION SYSTEM

LIFETIME WARRANTY

This revolutionary design is the simplest and most accurate tensioning system on the market.

Only 4 components make up the EZ Torsion System.

- † Universal Torsion Mounting Bracket
- † Stainless Steel Spring
- † EZ Torsion Ring
- † Tension Guide Cap

**EASY TO SET AND
STAYS SET**

Patent Pending

Ev-r-wear™ Blade

Our special formulated urethane with additives has been tested and proven to last longer than any other blade on the market.

WE GUARANTEE IT . . .

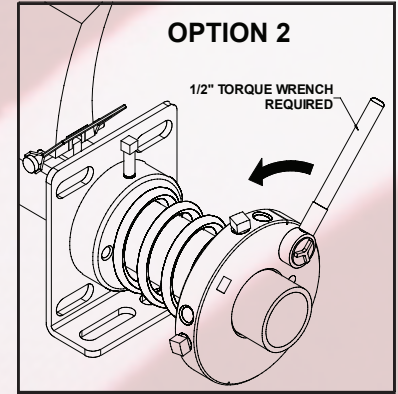
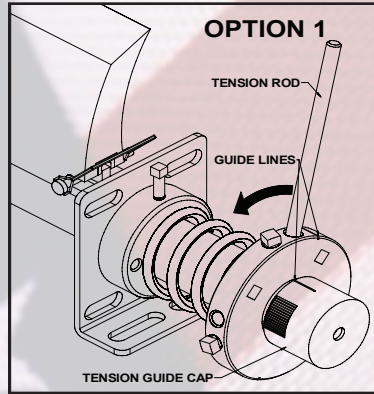
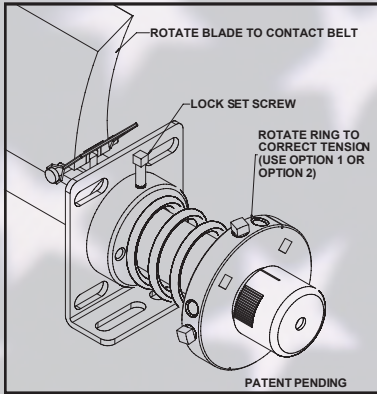
- † Premium urethane
 - † Additive for lubricity (non-stick)
 - † Additive for high abrasion
- "With over 35 years molding experience."**

AMERICAN EAGLE MANUFACTURING LLC

www.AmericanEagleManufacturing.com

1-866-713-8985

BY FAR THE EASIEST CLEANER TO INSTALL AND MAINTAIN



Once the correct tension is set, tighten the 2 set screws on the Easy Tension Ring then release the set screw on top of the Universal Torsion Mounting Bracket, to transfer the tension to the blade.

E4HD CLEANER

ORDERING INFORMATION E4HD Series

BELT WIDTH	S.S. SPRING	ORDER NUMBER	-2 BLADE WIDTH	MOUNTING TUBE LENGTH	ORDER NUMBER	-8 BLADE WIDTH	MOUNTING TUBE LENGTH
18"	Single	E4HDSCSM18	16"	56"	E4HDSCSM18-8	10"	56"
24"	Single	E4HDSCSM24	22"	62"	E4HDSCSM24-8	16"	62"
30"	Single	E4HDSCSM30	28"	68"	E4HDSCSM30-8	22"	68"
36"	Single	E4HDSCSM36	34"	74"	E4HDSCSM36-8	28"	74"
42"	Single	E4HDSCSM42	40"	80"	E4HDSCSM42-8	34"	80"
48"	Single	E4HDSCSM48	46"	86"	E4HDSCSM48-8	40"	86"
54"	Single	E4HDSCSM54	52"	92"	E4HDSCSM54-8	46"	92"
60"	Single	E4HDSCSM60	58"	98"	E4HDSCSM60-8	52"	98"
72"	Single	E4HDSCSM72	70"	110"	E4HDSCSM72-8	64"	110"

Cleaner will come with Tensioner on right side unless specified left. Dual Available upon request.

E1HP STAINLESS STEEL CLEANER

ORDERING INFORMATION E4HD Series

BELT WIDTH	S.S. SPRING	ORDER NUMBER	-2 BLADE WIDTH	MOUNTING TUBE LENGTH	ORDER NUMBER	-8 BLADE WIDTH	MOUNTING TUBE LENGTH
18"	Single	E4HDSSCSM18	16"	56"	E4HDSSCSM18-8	10"	56"
24"	Single	E4HDSSCSM24	22"	62"	E4HDSSCSM24-8	16"	62"
30"	Single	E4HDSSCSM30	28"	68"	E4HDSSCSM30-8	22"	68"
36"	Single	E4HDSSCSM36	34"	74"	E4HDSSCSM36-8	28"	74"
42"	Single	E4HDSSCSM42	40"	80"	E4HDSSCSM42-8	34"	80"
48"	Single	E4HDSSCSM48	46"	86"	E4HDSSCSM48-8	40"	86"
54"	Single	E4HDSSCSM54	52"	92"	E4HDSSCSM54-8	46"	92"
60"	Single	E4HDSSCSM60	58"	98"	E4HDSSCSM60-8	52"	98"
72"	Single	E4HDSSCSM72	70"	110"	E4HDSSCSM72-8	64"	110"

Cleaner will come with Tensioner on right side unless specified left. Dual available upon request.

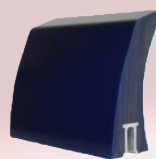
BLADE MATERIAL OPTIONS



FDA Polyurethane Natural 85A



Heat Resistant -40 to 300 °F Red 95A



Eagle Ev-R-Wear™ High Performance Blue 85A



Chemical/Acid Resistant Green 80A



Solid Polyurethane Orange 90A