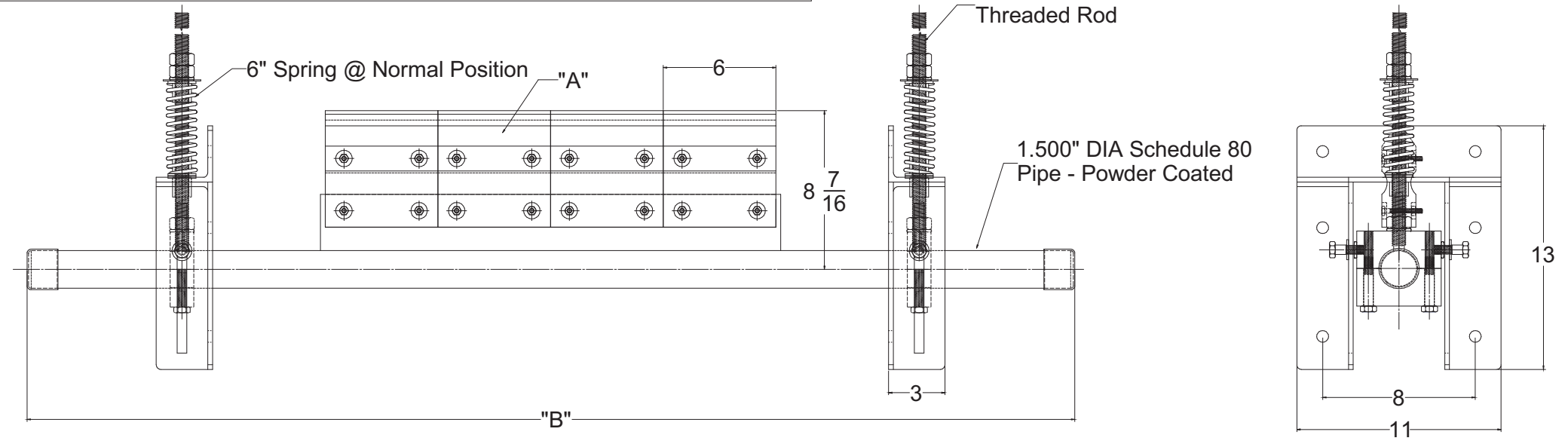


Cleaner Specifications			
Part No.	Belt Width	Parts Required "A"	Pipe Width "B"
E8SC18-C-CTB	18"	3	48"
E8SC24-C-CTB	24"	4	54"
E8SC30-C-CTB	30"	5	60"
E8SC36-C-CTB	36"	6	66"
E8SC42-C-CTB	42"	7	72"
E8SC48-C-CTB	48"	8	78"
E8SC54-C-CTB	54"	9	84"
E8SC60-C-CTB	60"	10	90"
E8SC72-C-CTB	72"	12	102"



REV.	DESCRIPTION	BY	CHK'D
		DATE	DATE
-	-	-	-
-	-	-	-
-	-	-	-
-	-	-	-

**St'd Tolerances for Cast Urethane**  
 (Unless otherwise noted)  
 Decimal Dimensions:  
 3 Decimal places ±.015  
 2 Decimal places ±.030  
 Hole locations ±.030  
 Angular Dimensions:  
 In degrees ±60 min.  
 In degrees & min. ±15 min.  
 Fractional Dimensions ±1/32

**St'd Tolerances for Machined Urethane**  
 (Unless otherwise noted)  
 Decimal Dimensions:  
 3 Decimal places ±.005  
 2 Decimal places ±.015  
 Hole locations ±.010  
 Angular Dimensions:  
 In degrees ±30 min.  
 In degrees & min. ±5 min.  
 Fractional Dimensions ±1/64

Design derived from customer supplied drawings and or parts

Third Angle Projection  
  
 Interpret drawing per ANSI Y145

This drawing in design and detail is the property of American Eagle Manufacturing, LLC. It is returnable upon request and must not be reproduced or the information contained transmitted to any unauthorized person or organization without written consent from American Eagle Manufacturing, LLC. It is to be used only in connection with our work as authorized by us. All rights of design and invention are reserved.

Drawn **Jeff Langley** 11-18-11  
 APPROVED BY **David Liland** 11-29-11  
 SCALE: N.T.S.

**AMERICAN EAGLE**  
 MANUFACTURING LLC

201 Kale Road  
 New Bern, NC 28562  
 Ph: 252-633-0603 Fax: 252-633-5487  
 www.AmericanEagleManufacturing.com

**E8 Secondary Cleaner (with Carbide Blade)**

SIZE **A**

REV - 000 SHEET 1 OF 1