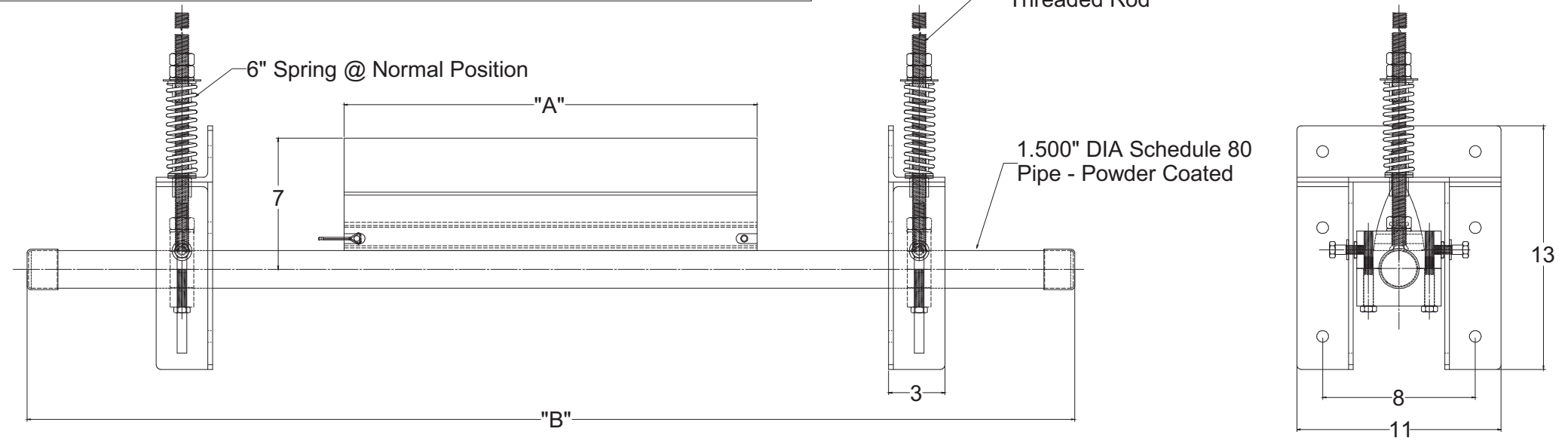


Cleaner Specifications			
Part No.	Belt Width	-2 Blade Width "A"	Pipe Width "B"
E8SC18-C-UB	18"	16"	48"
E8SC24-C-UB	24"	22"	54"
E8SC30-C-UB	30"	28"	60"
E8SC36-C-UB	36"	34"	66"
E8SC42-C-UB	42"	40"	72"
E8SC48-C-UB	48"	46"	78"
E8SC54-C-UB	54"	52"	84"
E8SC60-C-UB	60"	58"	90"
E8SC72-C-UB	72"	70"	102"

**E7SM
Blade Profile
(Scale 1.5:1)**

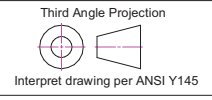


-	-	-	-
-	-	-	-
-	-	-	-
REV.	DESCRIPTION	BY	CHK'D
		DATE	DATE

St'd Tolerances for Cast Urethane
 (Unless otherwise noted)
 Decimal Dimensions:
 3 Decimal places ±.015
 2 Decimal places ±.030
 Hole locations ±.030
 Angular Dimensions:
 In degrees ±60 min.
 In degrees & min. ±15 min.
 Fractional Dimensions ±1/32

St'd Tolerances for Machined Urethane
 (Unless otherwise noted)
 Decimal Dimensions:
 3 Decimal places ±.005
 2 Decimal places ±.015
 Hole locations ±.010
 Angular Dimensions:
 In degrees ±30 min.
 In degrees & min. ±5 min.
 Fractional Dimensions ±1/64

Design derived from customer supplied drawings and or parts



This drawing in design and detail is the property of American Eagle Manufacturing, LLC. It is returnable upon request and must not be reproduced or the information contained transmitted to any unauthorized person or organization without written consent from American Eagle Manufacturing, LLC. It is to be used only in connection with our work as authorized by us. All rights of design and invention are reserved.



Drawn **Jeff Langley** 11-18-11
 APPROVED BY **David Liland** 11-21-11
 SCALE: N.T.S.

SIZE
A

201 Kale Road
 New Bern, NC 28562
 Ph: 252-633-0603 Fax: 252-633-5487
 www.AmericanEagleManufacturing.com

**E8 Secondary Cleaner
(with Urethane Blade)**
 REV - 000 SHEET 1 OF 1